

**LINE:** RECEIVING SCALES

**MODEL:** EQB-50/100 & EQB-100/200



USE
<ul style="list-style-type: none"> <li>• Storage companies</li> <li>• Markets</li> <li>• Shipping departments</li> <li>• Supermarkets</li> <li>• House hold suppliers</li> <li>• Steel and aluminum foundries</li> <li>• Office suppliers</li> <li>• Manufacturers</li> <li>• Etc</li> </ul>

CAPACITIES AND DIMENSIONS			
MODEL	Capacity	Minimum division	Plate Dimensions
EQB-50/100	50 kg/100 lb	10 gr /0.02 lb	48 X 38 cm (19 X15" IN)
EQB-100/200	100 kg/200 lb	20 gr /0.05 lb	48 X 38 cm (19 X15" IN)

**BENEFITS**

- Very precise, 5000 divisions
- Easy to use
- Heavy duty use
- Toggles between kg and lb
- PC or Printer communication function
- Operates with rechargeable battery (200 hours approximately) or electrical power supply


**LINE:** RECEIVING SCALES

**MODEL:** EQB-50/100 & EQB-100/200

**BENEFITS**

**SPECIFICATIONS**

 **EASY TO USE**  
So simple to use that anyone can operate it with only a minute training

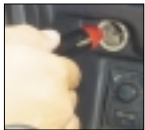
 **BUILT TO LAST**  
Its solid structure and design, guarantee years of continuous trouble free operation.

	EQB-50/100	EQB-100/200
Capacity	50 kg/100 lb	100 kg/200 lb
Minimum division	0.01 kg/0.02 lb	0.02 gr/0.05 lb
Display	Liquid crystal display	
Backlight	Included	
Power Supply	110v/60hz (220v/50 hz Optional)	
Power supply adapter	Included	
Cars lighter adapter	Optional	
Rechargeable Battery	Included (200 hours approximately)	
Serial port	Included	
Plate Dimensions	38 x 48 cm (15 x 19" IN)	
Maximum tare	25 kg/50 lb	50 kg/100 lb
Operation temperature	-10 to 40 °C (14 to 104 °F)	
Storage Temperature	-20 to 50 °C (-4 to 122 °F)	
Net weight	16.1 kg / 35.5 lb	16.1 kg / 35.5 lb
Shipping weight	20.3 kg / 44.7 lb	20.3 kg / 44.7 lb

**OPTIONAL ACCESORIES**



Stainless steel plate



Car lighter adapter to plug in the scale



Remote module kit



Enameled carbon steel table (29 inch) with lead free epoxy finish

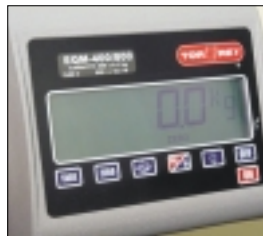
**OPERATES ANYWHERE**

The EQB operates anywhere with a long lasting rechargeable battery (90 Hrs, approx.)



**PC COMMUNICATION FUNCTION**

Includes PC or printer interface through RS-232 serial port



**EASY TO READ DISPLAY**

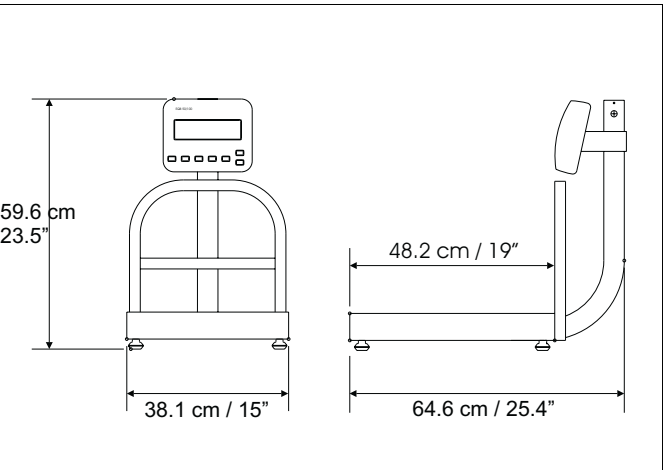
Just place the product on the platter and instantaneously read the weight on the display. Saves time and money.



**WEIGHS AMPLE PRODUCTS WITHOUT A PROBLEM ON ITS LARGE PLATE**

The EQB 50/100 was designed to weigh voluminous products. Adjustable indicator allows for easy display reading in many directions.

**DIMENSIONS**



\*Available only in scales ordered under this spec

DISTRIBUTED BY

