



LABELING / PRINTING SCALES

W-LABEL SERIES



Model:
W-LABEL40L

Product features

- ✓ LCD display with embedded backlig
- ✓ Inkless thermal printer for labels and continuous paper
- ✓ Robust stainless construction
- ✓ Wifi and ethernet interface
- ✓ 35 PLU shortcut keys
- ✓ 500 PLU memory storage
- ✓ Sales reports
- ✓ Windows software available
- ✓ "Scalelink" for IOS and Android

Product highlights



Tablet and PC connection



Thermal printer, tickets and tags



Free "scalelink" APP available

Certifications



Warranty

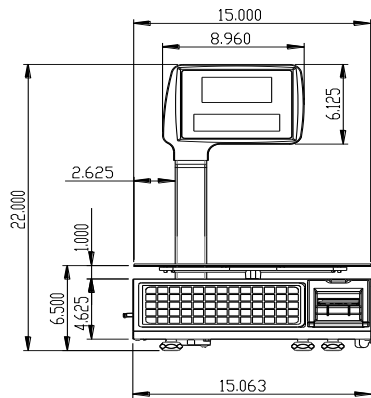




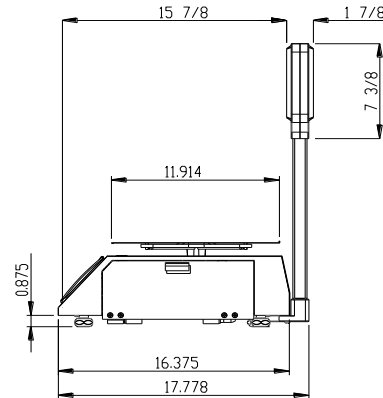
LABELING / PRINTING SCALES

W-LABEL SERIES

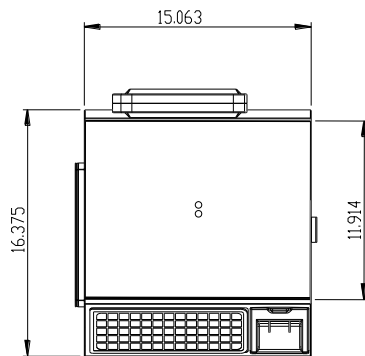
Dimensions



Front view



Side view



Top View

Technical specifications

Dimensions

External dimensions	W: 16.375" D:15.063" H: 22.00"
Packing dimensions	W: 20.07" D:25.98" H: 14.76 "
Net weight	39.7 lb
Total weight (packing included)	46.3 lb
Plate dimensions	W: 11.75" D: 15.25" H: 0.5"

Construction

Cabinet material	Food grade stainless steel
Plate material	Food grade stainless steel
Plate holder	High strength reinforced plastic
Leveling feet	4

Logistic data

Units per pallet	5
Weight per pallet	776.02 lb
Dim. Per pallet	44.88" x 51.96" x 78.740"
Storage temperature	-4°F to 122°F (-20°C to 50°C)

Electrical data

Power supply	100-240 Vca / 47/63 Hz
Ampers	1.2A/220V 2.4A/115V
Cord length	70.86"
Lighting	LED
Plug type	NEMA-5-15P
Display	LCD display with backlight

Performance data

Capacity	40 lb
Minimal division	0.01 lb
Max. Tare	39.99 lb

Additional data

Communication	ETHERNET, WIFI
App available on Android and iOS	App "scalelink" software
Software PC available	Software Admin scale WLabel
Operation temperature	14°F to 104°F (-10°C to 40°C)