



OWNER'S MANUAL

ELECTRONIC SCALE



FS, EQB and EQM
Series

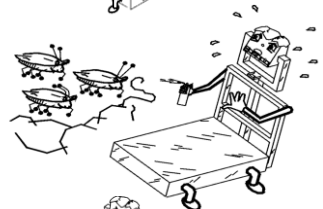
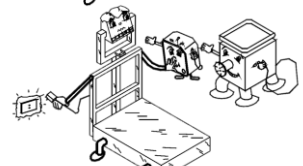
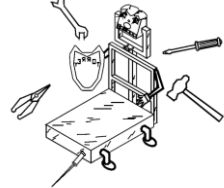
BEFORE OPERATING THIS SCALE, PLEASE READ THIS MANUAL THOROUGHLY.

INDEX

Important warnings.	3
Introduction.	5
Installation guide.	5
Keyboard.	6
General view finder.	7
Operations description.	8
How to weigh a product.	8
How to use the TARE key.	8
How to use kg/lb conversion key.	9
How to use the ZERO key.	9
Use of the battery.	10
Counters verification function.	11
Important messages that appear on the scale.	12
Maintenance and cleaning.	13
Troubleshooting guide.	14
Technical specifications of EQB50/100, EQB100/200 and FS200/400.	15
Technical specifications of FS250/500 and FS500/1000.	16
Technical specifications of EQM200/400 and EQM400/800.	17
Technical specifications of EQM1000/1000.	18
Additional data.	19

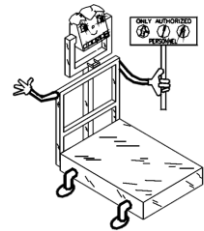
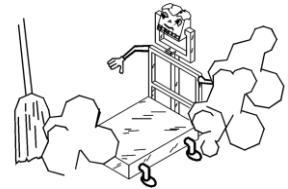
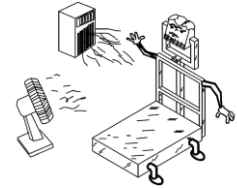
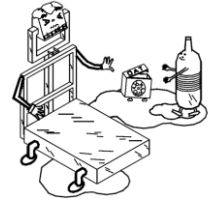
IMPORTANT WARNINGS

1. In case have problema wiht the scale, firts read the warrantu condiction.
2. Do not open the scale on your own. Your warrantu will be canceled.
3. Never prees the keyboard wiht object such as pencils, pens, knives, etc.
4. Use a Vac outlet exclusive for the scale. Avoiding overload or voltaje variations.
5. Never wash the scale using a flow of wáter. This can damage the electronic components. For more information read "Maintenance and cleaning" section.
6. Protect the scale from insects (mainly from roaches), they can seriously damage to electronic components. Use solid products againts roaches.
7. Do not drop or hit the scale wiht nthe product to be weighted because as time goes by it will damage the weight sensor.



IMPORTANT WARNINGS

8. Do not use solvents or detergents for cleaning only use damp rag.
9. Do not place fans or heaters directed towards the scale.
10. Do not place the scale where there is a lot of moisture and/or dust.
11. Only authorized and qualified personnel should check and repair your scale.



IMPORTANT!

Battery should be recharged for 10Hrs before using the scale for the first time.



WARNING!

Do not open the scale

Caution: to reduce the risk of short circuit in your scale, do not remove the cover or substitute any of the parts for others that are not original only authorized distributor..

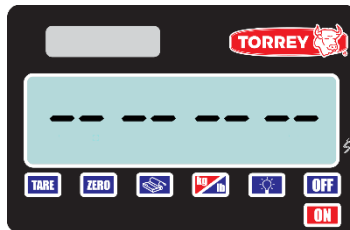
INTRODUCTION

Dear customer:

We appreciate that you have chosen this product. We assure you that you will get the maximum satisfaction of the new acquisition for your business. We suggest you to read carefully this manual and make sure to keep it at hand for later consultations.

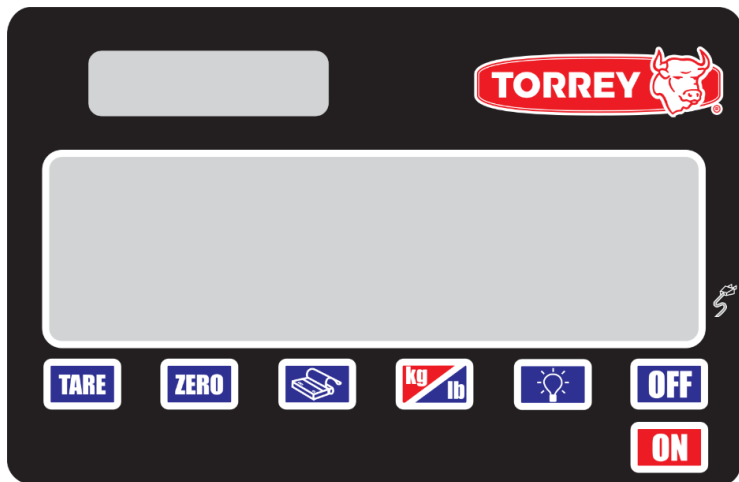
INSTALLATION GUIDE

1. Unpacking the scale and verify that it is not damaged. If there some hurt on the scale notify it to your authorized distributor.
2. Set the scale in a free movement and vibrations place. Verify that it is right leveled.
3. Connect the source adapter to Vac outlet.of 110VCA/220VCA, (if it is necessary).
4. Turn on the scale and the Generald view finder shows:



IMPORTANT NOTE: If when doing the steps describe so far the scale shows word "HELP" means that it was hurted and/or hited while it was transported with causes on it a irreversible damage.

KEYBOARD



When you press it you eliminate any containers weight that you do not wish to consider during a trade. (example: boxes, bags, bottles, etc).



When you press it the scale starts with zero weight.



It is use to send information to a printer (optional).



When you press this key you change the units of the scale from kilograms to pounds and vice versa.



This key is used to turn on and turn off the backlight.

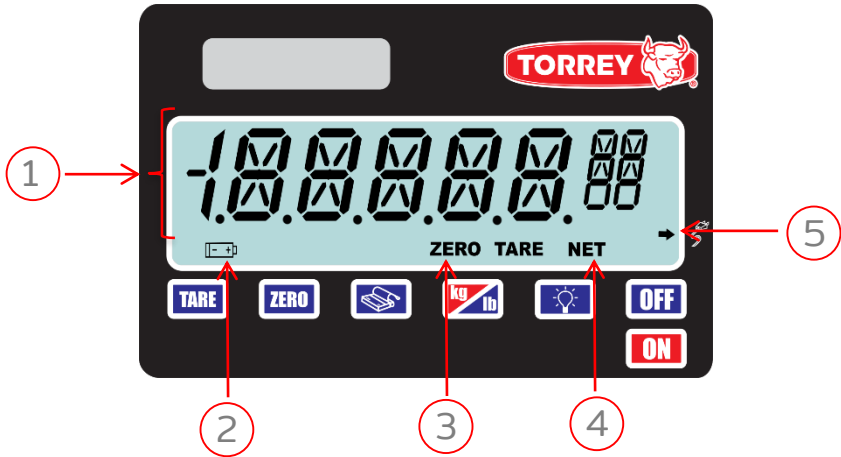


When you press it the scale turn off.



When you press it the scale turn on.

GENERALD VIEW FINDER



1. "Alphanumeric" indicator: shows the product's weight in pounds and kilograms when this happens, the symbol "kg" or "lb" appears in the indicator (1). Alphanumeric indicator can show the following readings:

"Kg" or "lb" is shown when the scale is ready to weight products.

OVRLOAD is shown when there is an overweight on the scale.

NEG. is shown when there is a negative weight.

LOWbAT is shown when the battery does not have enough energy.

HELP is shown when you turn on the scale with an excessive weight.

UNLOAD is shown when the scale is turned on without the plate.

2. "Low battery" indicator: is shown when the energy of the battery is too low. This indicator turns on to tell us that it is necessary to recharge it.
3. "Zero" indicator: these references to zero indicate that the scale is ready to start weighting products. the zero indicator disappears when a load is placed on the scale.
4. "NET" indicator: indicates that the "tare" function has been activated. the readings shown correspond to the net weight.
5. "AC/DC Power supply" indicator: when the ac/dc power supply is connected to the scale this indicator turns on.

OPERATION'S DESCRIPTION

How to weight a product

Turn your scale on pressing the **ON** key. The general view finder will show "-----" for few seconds. Then the general view finder will be in "zeros". At this moment the scale is ready to weight. Then place the product to weight on the plate and you will see the weight in the alphanumeric indicator. The "kg" o "lb" symbol will appear in the indicator. For example, if you place a product whose weight is 160 pounds, you will see the following:



How to use **TARE**

When you wish to weight a product in a container and you do not want to consider the container's weight during the operation, you can use the "TARE" function. To use this function, follow these steps: suppose you are going to weight 10 pounds of some product in a container that weight 20 pounds.

1. Place the empty container on the scale:
2. Press the **TARE** key. After some seconds the view finder will display:
3. Put the product inside the container and the scale shows only the weight of the product without the container's weight. notice that when you remove the container a negative number (weight of container) appears in the general view finder.



It is important to mention that this function is subtractive, for example if we have a container that weight up to 20 pounds, the scale will only be able to weight up to 120 pounds of product to complete the maximum capacity (to EQB100/200). To cancel the tare function remove the container and press the **TARE** key, the scale will return to the normal function. The "NET" symbol will disappear.

The following observations are specially important:

- When there is no weight on the scale (container) you can not activate the "TARE" function.
- When a container is "tared", but when you remove it from the plate and you remove a larger weight than the container (grease, remaining of product, etc.) or when the plate is slightly lifted the message "NEG" (negative) will appear.

When this happens :

- Release the plate if you are holding it.
- If the alarm continues, turn off the scale and turn it on again.




How to use



If the scale is in the "lb" mode and you put on the scale a product that weights 160 pounds you will see the following in the view finder:




But if you press the  key the scale will change to "kg" mode and you will see the following in the view finder.



Note: If you turn off the scale and it was in the "kg" mode, and you turn on the scale again it will return in the "kg" mode.

How to use




It is possible for the scale to show a number in the view finder without having any product on the plate due to voltage variations, rough handling or some other factor. when this happens, simply press the  key and the view finder will return to "zero". the indicator "zero" will appear in the view finder. this operation is commonly known as resetting to zero.



How to use



When you do not have enough light you can use the backlight to improve the readability of the data on display. to turn on and turn off the backlight just press the  key.

This function is permanently activated when the scale is on and only when you do not have the ac/dc power supply connected to the scale. When you do not use the scale for a period of time approximate to 15 minutes, it will automatically turn off. To turn on the scale again, just press the **ON** key. The power off timer function permit you to save electricity and avoid constant battery recharge.



Use of the battery

The scale can operate with an ac/dc power supply, or with battery (4 Volts included). The battery is rechargeable using the ac/dc power supply and the procedure is the following:

Recharge: to make this operation, just connect the scale to ac/dc power supply for a period of time approximate to 10 hours with the scale turned off, when you recharge the battery for some hours, but the battery can not get enough charge to turn on the scale, then you must change the battery by a new one. In this case you can contact to your authorized distributor.

The charge capacity of the rechargeable battery in this scale decreases according, to the number of charge/discharge cycles, this causes that the service life is reduced to 1000 cycles. for this reason the warranty period for the battery is limited to six months after the purchase date of the scale.

Low battery indicator

If the battery does not have enough energy to keep the scale operating for a long time, a low battery indicator appears in the view finder. This is the first warning signal indicating that it is necessary to recharge the battery.



Even with this signal, it is possible for the scale to keep on operating for a short period of time (30 minutes), but after a second warning signal appears ("low bat") in the view finder, the scale stops itself and does not respond to the instructions.



To eliminate any of the two indicators and continue using the scale without any concern, connect the ac/dc power supply to the scale. and remember to recharge the battery.

Counters verification function

The scale is equipped with two important counters: the calibration counter and the counter of times that configuration has been changed. These counters must be accessed only by official office of weights and measures inspectors.

- The calibration counter shows the number of times that the scale has been recalibrated by a technician.
- The counter of times that the internal configuration has been changed shows the number of times that a technician had reconfigured the internal function in the scale.

In both cases, the customer can only check the amount that is displayed, but can not make any changes.

How to access the counters


To check the counters follow these instructions:

a) Calibration Counter.

1. Turn the scale on.
2. Press the **TARE**   **TARE** **ZERO** **ZERO** **ZERO** keys while the view finder shows " - - - ". Then the view finder will display:



b) Counter of times that the internal configuration has been changed.

1. Turn the scale on.
2. Press the **TARE**   **TARE** **ZERO** **ZERO** **TARE** keys while the view finder shows " - - - ". then the view finder will display:



In any of the two cases, to get to the normal operation mode, just turn off the scale and then turn it on again. Your scale leaves the factory with the next readings:

Calibration Counter: CA. 001
 Configuration Counter: CF. 001

Other important messages that appear in the scale

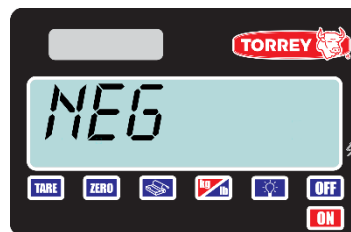


This message indicates that a weight that exceeds the maximum capacity has been placed on the scale. To correct this, simply remove the over weight.



This message appears in two different situations:

- a) When the scale is turned on with an excessive weight on the plate (more than 50% of scale total capacity) to correct this situation remove the weight that is on the scale, turn off the scale and then turn it on again.
- b) When the scale was handled roughly and/or got hitted during the shipment, which caused irreversible damages in operation. In this case call your authorized distributor.



This message indicates a negative weight, this could happen if you lift or remove the scale's plate. To correct these put the plated back in its place and press the **ZERO** key or turn the scale off and then turn it on again.

MAINTENANCE AND CLEANING

One of the greatest advantages of purchasing this scale model is that it requires minimum maintenance and it is very simple to keep it in favorable conditions.

- Do not use a flow of water to clean your scale. Use a damp rag and clean each of these components daily: plate and keyboard.
- To remove oil and greasy substances, use a dry and clean rag, rubbing dirty area several times.
- Do not use detergents or corrosive liquid while cleaning.
- Do not place the scale where there is a lot of moisture and/or dust.
- When you clean the scale make sure that there are not any papers, pieces of meat or any other kind of material under the plate or under the plate-holder that could obstruct the adequate operation of your scale.
- Periodically check the jack (where the ac/dc power supply is inserted) to make sure it is in good condition. That is, check there are not signs of strokes or detachments.
- Periodically check the ac/dc power supply to make sure the ends are in good condition. And that the cable is not twisted or tangled.
- Regularly check the scale to assure it is correctly leveled with its four leveling bases well supported.
- Do not expose your scale to temperatures below -10°C (14°F) or for above 40°C (104°F).
- Never press the keyboard with objects such as pencils, pens, knives, etc.
- Do not drop or hard weight the product on the plate or the scale because with the time it could damage the load cell.

TROUBLESHOOTING GUIDE

Before you call for service to your authorized distributor, check this manual again to avoid a misunderstanding.

PROBLEM	POSSIBLE CAUSE	SOLUTION
THE SCALE NOT OPERATE	THERE IS NOT ELECTRIC CURRENT.	WITH A MULTIMETER CHECK THE CURRENT OUTLETS.
	AC/DC POWER SUPPLY CABLE HAS A FALSE CONTACT.	CHECK THE AC/DC POWER SUPPLY TERMINALS, IF IT IS POSSIBLE, CHECK WITH ANOTHER AC/DC POWER SUPPLY.
	LOW BATTERY.	CONNECT THE AC/DC POWER SUPPLY IF OPERATES, THEN REPLACE THE BATTERY.
THE SCALE SHOWS DIFFERENT WEIGHTS WITH THE SAME WEIGHT	MATERIAL OBSTRUCTING THE CORRECT MOVEMENT.	CHECK IF EXISTS MATERIALS UNDER THE PLATFORM. IF SO, REMOVE THEM AND CHECK THE OPERATION AGAIN.
THE WORD "HELP" APPEARS IN THE DISPLAY	THE SCALE WAS TURNED ON WITH A BIG WEIGHT ON THE PLATE.	REMOVE THE WEIGHT AND TURN OFF THE SCALE AND THEN TURN ON IT ON AGAIN.
"UNLOAD" MESSAGE APPEARS ON DISPLAY	WEIGHT BIGGER THAN 20 % OF THE LOAD CELL CAPACITY ON THE PLATE.	REMOVE THE WEIGHT OF THE PLATFORM OR LOAD CELL AND TURN "ON" THE SCALE AGAIN

IMPORTANT NOTE:

- Storage Temperature: -4°F to 122°F (-20°C a 50°C).
- Input current adapter / Output current adapter: 110Vca – 220Vca / 6Vdc

TECHNICAL SPECIFICATION. EQB50/100 and EQB100/200

Model EQB50/100	Model EQB100/200
Max. Cap. 50kg/100lb Min. Div. 0.01kg/0.2lb Max. Tare. 50kg/100lb Oper. Temp. -4°F to 122°F	Max. Cap. 100kg/200lb Min. Div. 0.02kg/0.05lb Max. Tare. 100kg/200lb Oper. Temp. -4°F to 122°F

1. Leveling Bases.

2. Base.

3. Plate holder.

4. Plate.

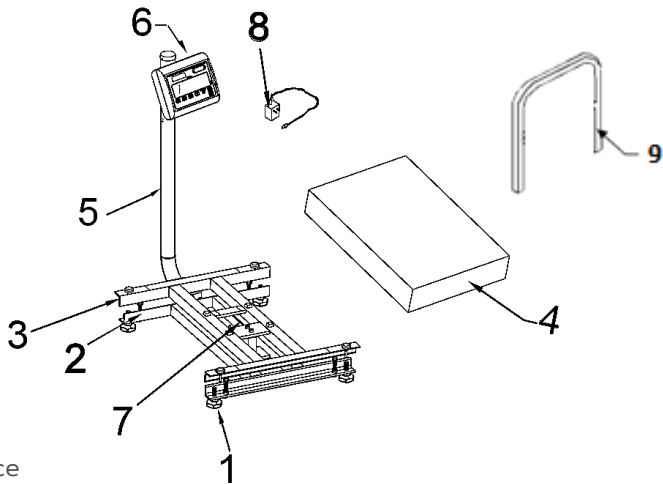
5. Turret.

6. Turret Display

7. Weight sensor.

8. AC/DC Power supply

9. Protection fence
(Models EQB)



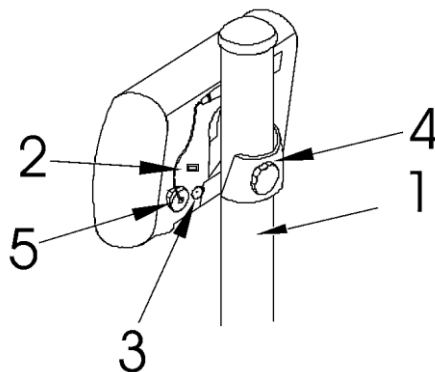
1. Turret.

2. USB connector.

3. Jack input .

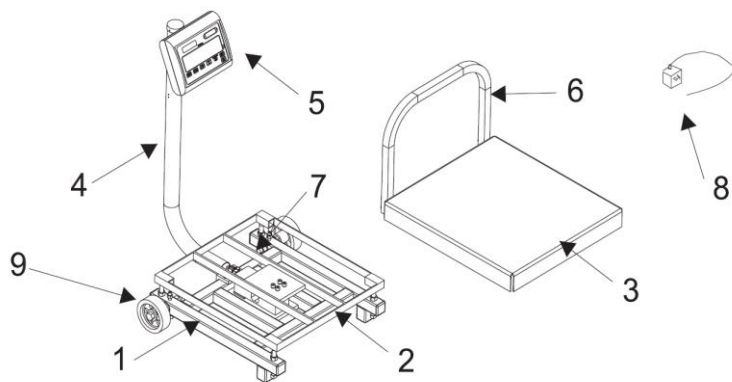
4. Indicator holder.

5. Load cell input.



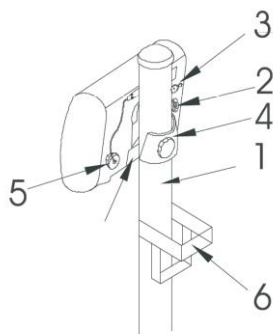
TECHNICAL SPECIFICATION. FS250/500 and FS500/1000

Model FS250/500	Model FS500/1000
Max. Cap. 250kg/500lb Min. Div. 0.05kg/0.1lb Max. Tare. 99.95kg/500lb Oper. Temp. -4°F to 122°F	Max. Cap. 500kg/1000lb Min. Div. 0.1kg/0.2lb Max. Tare. 500kg/1000lb Oper. Temp. -4°F to 122°F



- | | |
|--------------------|------------------------|
| 1. Base. | 6. Protection fence. |
| 2. Plate holder. | 7. Weight sensor. |
| 3. Plate. | 8. AC/DC Power supply. |
| 4. Turret. | 9. Wheels. |
| 5. Turret display. | |

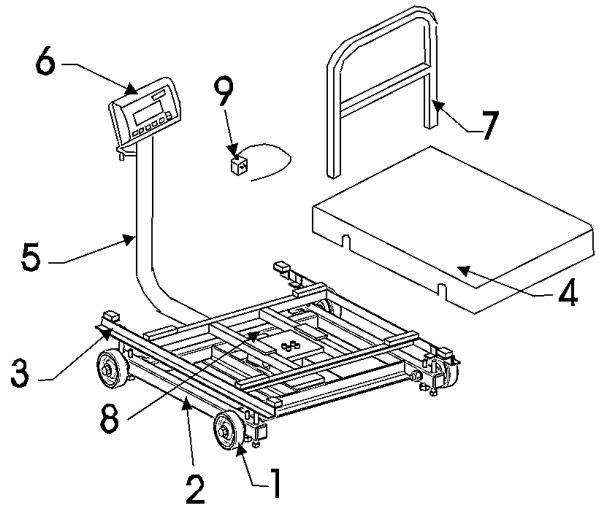
- | |
|-------------------------------|
| 1. Turret. |
| 2. USB connector. |
| 3. Jack input . |
| 4. Indicator holder. |
| 5. Load cell input. |
| 6. Holder AC/DC Power supply. |



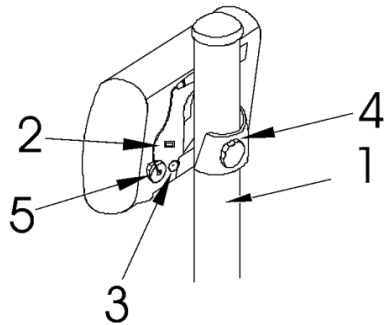
TECHNICAL SPECIFICATION. EQM200/400 and EQM400/800

Model EQM200/400	Model EQM400/800
Max. Cap. 200kg/400lb Min. Div. 0.05kg/0.1lb Max. Tare. 99.95kg/400lb Oper. Temp. -4°F to 122°F	Max. Cap. 500kg/1000lb Min. Div. 0.1kg/0.2lb Max. Tare. 400kg/800lb Oper. Temp. -4°F to 122°F

1. Wheels.
2. Base.
3. Plate holder.
4. Plate.
5. Turret.
6. Turret Display
7. Protection fence.
8. Weight sensor
9. AC/DC Power supply



1. Turret.
2. USB connector.
3. Jack input .
4. Indicator holder.
5. Load cell input.



TECHNICAL SPECIFICATION. EQM1000/2000

Model EQM1000/2000

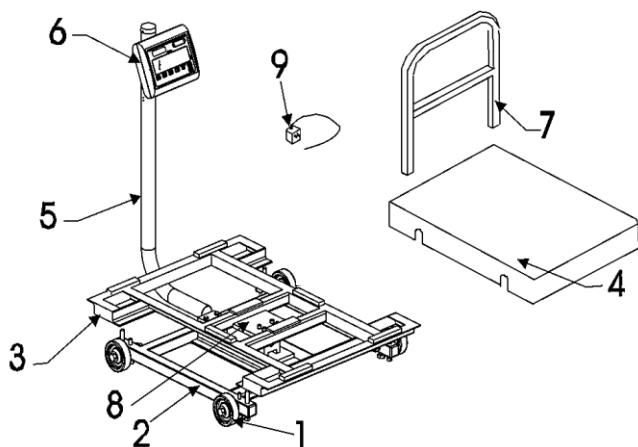
Max. Cap. 1000kg/2000lb

Min. Div. 0.2kg/0.5lb

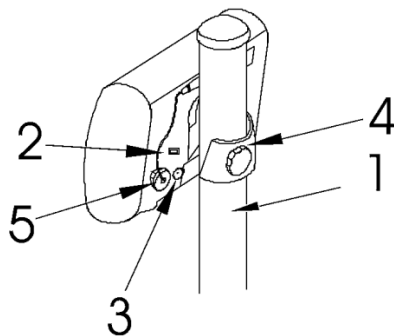
Max. Tare. 999.8kg/999.5lb

Oper. Temp. -4°F to 122°F

1. Wheels.
2. Base.
3. Plate holder.
4. Plate.
5. Turret.
6. Turret display.
7. Protection fence.
8. Weight sensor.
9. AC/DC Power supply.



1. Turret.
2. USB connector.
3. Jack input .
4. Indicator holder.
5. Load cell input.



ADDITIONAL DATA

The serial number of this product can be found in the register plate under the scale. We suggest you that write the serial number and the scale model in the following spaces and hold them as proof of your acquisition and as identification in case of loss or to future request.

Distributor _____
Address _____
Telephone number _____
Purchase date _____
Purchase date _____
Serial number _____

We reserve the right to change any specification contained in this text without prior notice.



ELECTRONIC
SCALE

www.torrey.net